

AlphaCam Stainless Steel Camera

Fixed Bullet Anti-Corrosion Camera 2100.0018

Key Features |

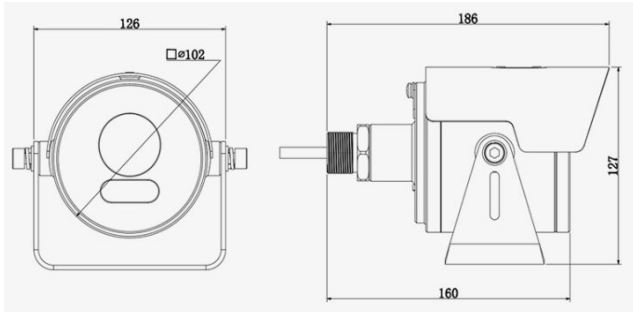
- Analog/Analog HD or Full HD (1080p) IP camera
- 316L Stainless Steel enclosure, protecting cameras to be used in corrosive environments, providing reliability and longevity compared to standard cameras.
- IP68 water and dust resistant
- Small size, light weight & flexible installation
- Light sensitivity, minimum illumination as low as 0.01 Lux@F1.2
- Wide Dynamic Range (WDR)
- Automatic Day and Night conversion
- Clear horizontal image
- 3D Noise reduction
- Build in Infrared illuminator
- 12VDC Power Input or PoE optional for the IP Camera version
- Sunscreen



Specifications |

	Analog	Analog High Definition	IP Camera
Ordering number	2100.0018-A28 2100.0018-A36	2100.0018-AHD28 2100.0018-AHD36	2100.0018-IPC28(P) 2100.0018-IPC36(P)
Material	316 L stainless steel		
Surface treatment	Primary stainless steel, electropolishing		
Protection level	IP68		
Interface specifications	G-1/2"		
Weight	2 KG		
Interface	BNC	BNC	RJ45
Input voltage	DC12V	DC12V	DC12V (PoE is optional)
Working current	A ≤ 1		
Sensor	1/2.8	1/2.8	1/2.8
Resolution	PAL	1920x1080	1920x1080
Lens	2.8 mm / 121 ° horizontal angle 3.6 mm / 100 ° horizontal angle		
Ambient temperature	-30°C , +70°C		
Atmospheric pressure	KPa 80-106		
Relative humidity	≤95 RH(+25°C)		
Certification	CE		

Dimensions |



Ordering information |

2100.0018

-

Signal Type

Lens Type

PoE Option

Signal Type

A = Analog Video
AHD = Analog High Definition Video
IPC = IP Camera

Lens Type

28 = 2.8 mm
36 = 3.6 mm

Power option

P = Power Over Ethernet (only available on IPC version)



security.alphatron.com